

**ICAO High Intensity Type A
200 000 cd white LED flashing obstacle light****Key features**

- Based on LED-technology
- 200 000 / 20 000 / 2 000 cd effective flashing white
- 120° x 3° beam spread
- Extremely reliable - long lifetime
- Very low power consumption
- Stabilised light output
- Lightweight and small – low wind load factor
- Easy to install
- Patented
- Very low total lifetime costs
- Comes with five (5) years warranty
- Over 10 year continuous, maintenance free operating time
- Controlled by Obelux LHC Light Head Controller

Specifications met

- ICAO International Standards and Recommended Practices:
Aerodromes - Annex 14 Volume 1, 5th Edition, July 2009,
Chapter 6: High-intensity, Type A Fixed Obstacle Light

Photometric characteristics

- 200 000 cd effective intensity @ day mode
- 20 000 cd effective intensity @ twilight mode
- 2 000 cd effective intensity @ night mode
- Colour aviation white
- Horizontal radiation pattern 120°
- Vertical radiation pattern 3°

Electrical characteristics (with LHC)

- Operating voltages 48 Vdc, 115 or 230 Vac
- Constant power input by active PFC
- Flash rates: 20, 40 and 60 fpm
- Flash durations: 100, 150, 200 and 250 ms
- Power consumptions 312 VA @ 40 fpm, 250 ms
- LED supply current stabilised by constant current generator

Mechanical characteristics

- Marine grade aluminium enclosure
- Glass cover
- Degree of protection IP65
- Operating temperature range -55...+55 °C
- Height 843 mm, width 353 mm, depth 213 mm
- Height 973 mm with mounting set
- Weight 27 kg, less than 35 kg with mounting set
- Mounting set -V or -W include
- Wind load @ 200 km/h less than 1000 N

Made in Finland

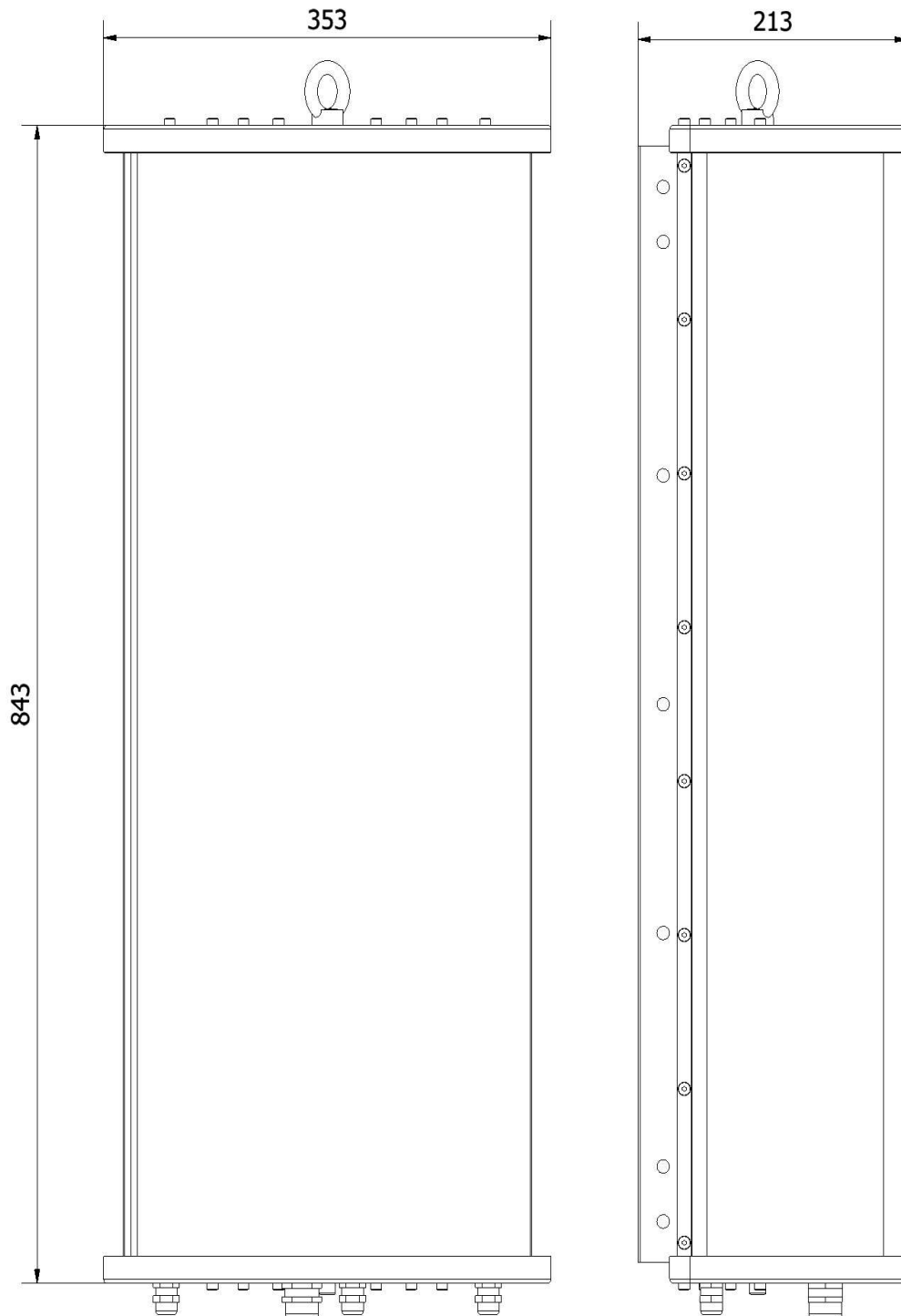


Obelux HI-200KW without mounting set

Order codes:

- Obelux HI-200KW-V with vertical mounting set
- Obelux HI-200KW-W with wall mounting set

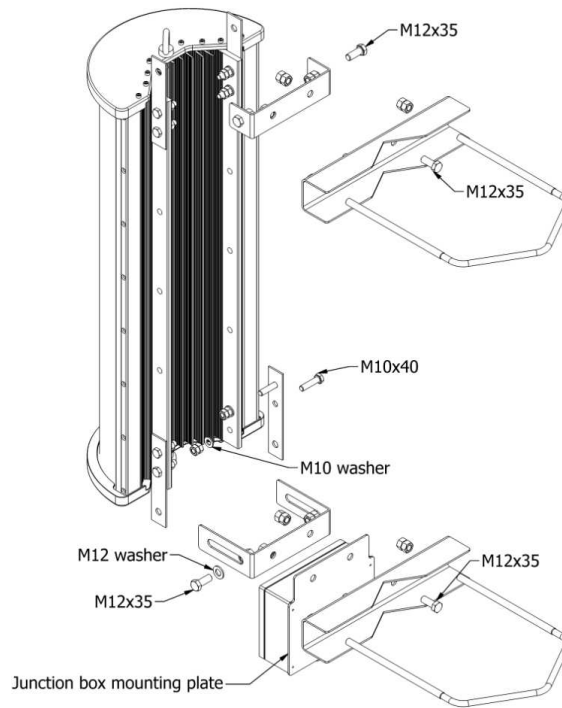
MECHANICAL DIMENSIONS



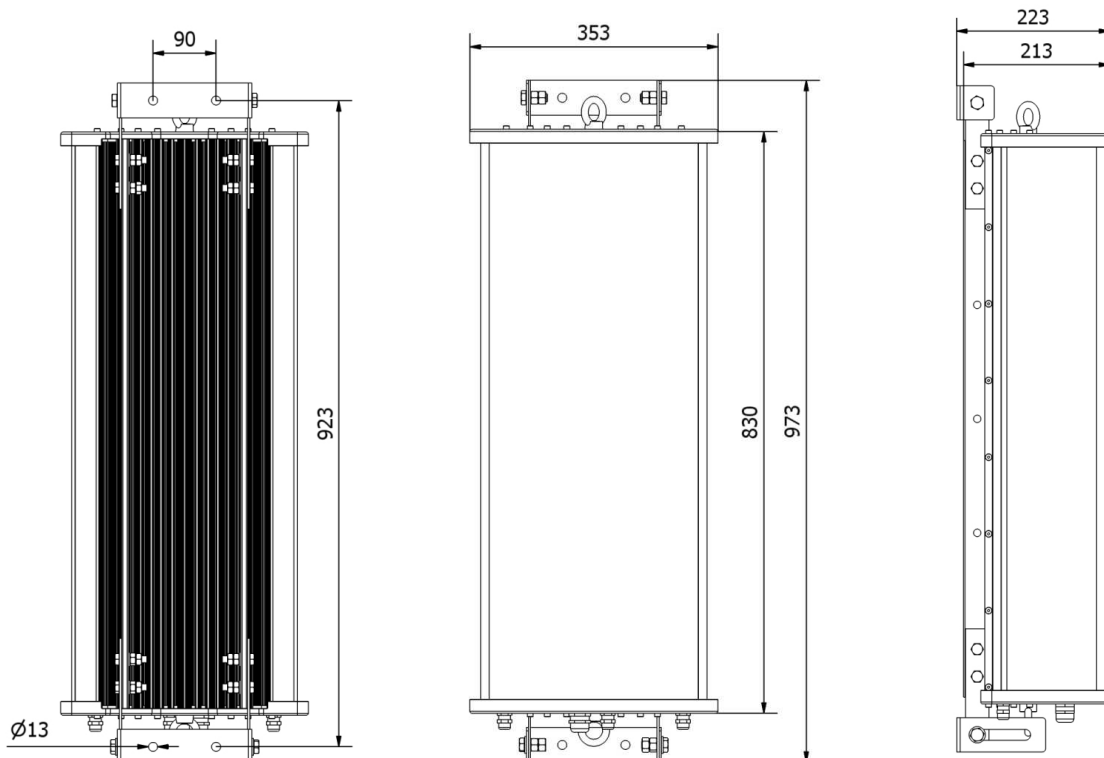
Technical information in this document is subject to change without notice. Copyright © Obelux Oy 2012

ICAO High Intensity Type A
200 000 cd white LED flashing obstacle light

VERTICAL MOUNTING SET



WALL MOUNTING SET



Technical information in this document is subject to change without notice. Copyright © Obelux Oy 2012

**ICAO High Intensity Type A
200 000 cd white LED flashing obstacle light**

INSTALLATION INSTRUCTIONS

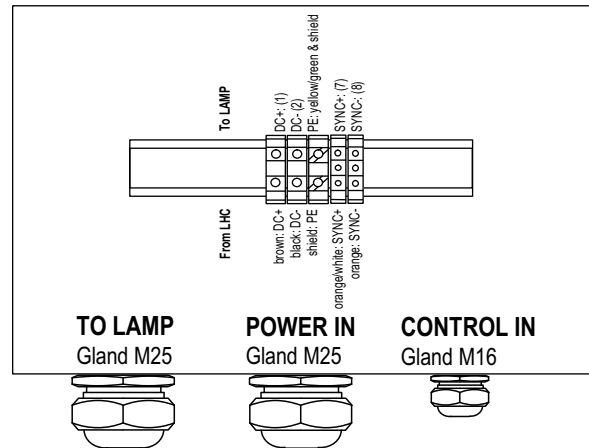
LIGHT HEAD TERMINAL BOX CONNECTIONS

Obelux HI-200KW light head is connected to light head controller, LHC, via terminal box installed in light head. LHC provides light head's supply voltage and flash control with separate cables which are connected to light head's terminal box.

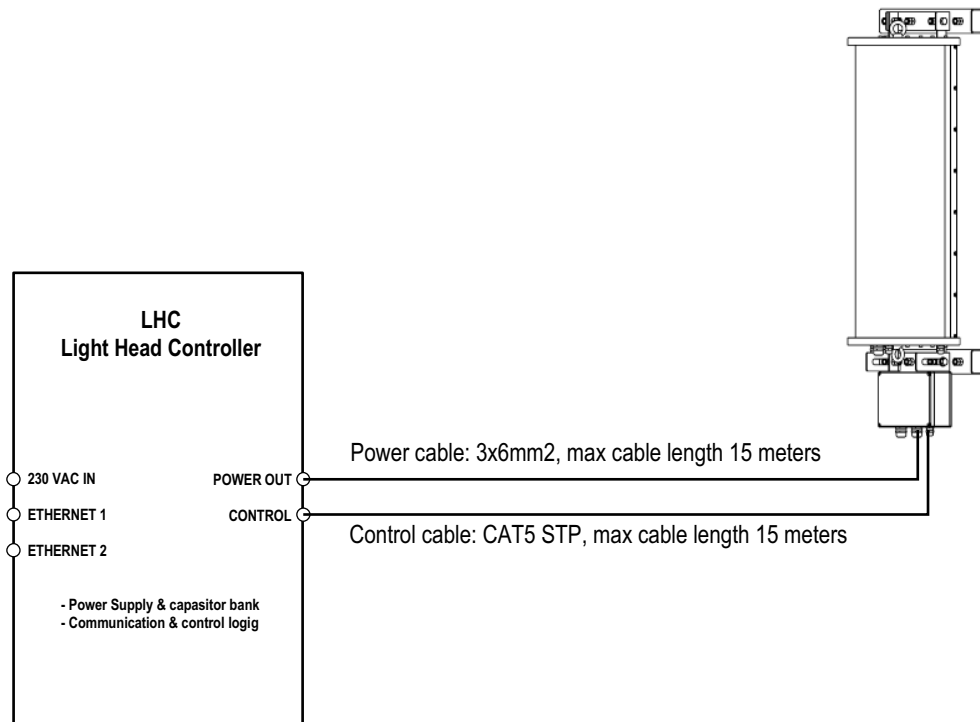
Terminal box connection instructions and cable recommendations:

To lamp	Power in	Control in
4x2,5 + 4x1mm²	3x6mm²	CAT5
1 = DC+	br = DC+	or/wh = SYNC+
2 = DC-	bk = DC-	or = SYNC-
3 = NC	wh = NC	
ye/gr = PE	shield = PE	
7 = SYNC+		
8 = SYNC-		
shield = PE		

Light Head terminal box



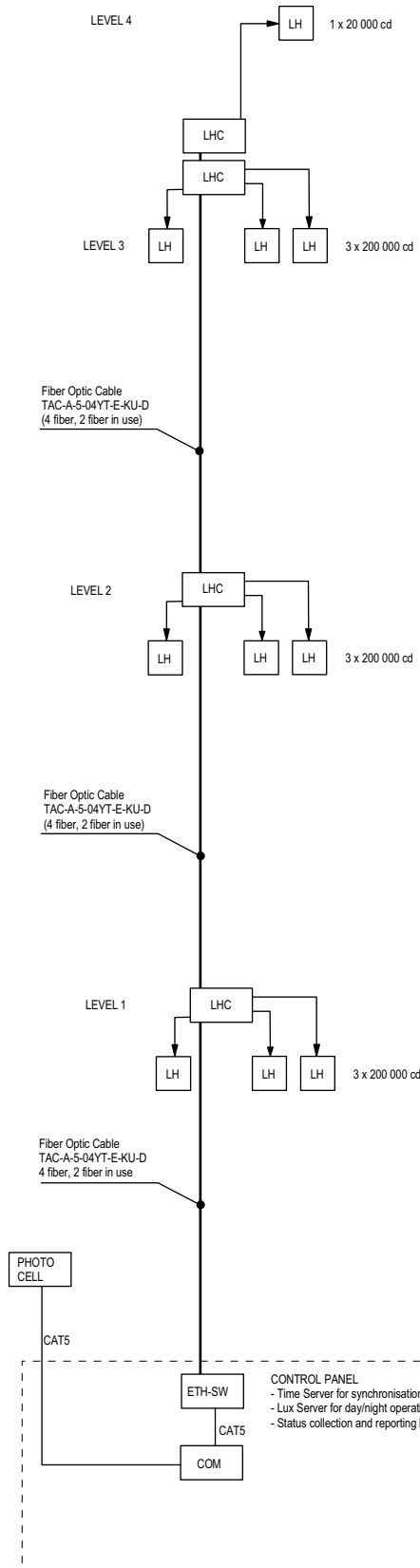
POWER AND CONTROL CABLES



Technical information in this document is subject to change without notice. Copyright © Obelux Oy 2012

**ICAO High Intensity Type A
200 000 cd white LED flashing obstacle light**

**TYPICAL APPLICATION
4-LEVEL BROADCAST MAST**



Technical information in this document is subject to change without notice. Copyright © Obelux Oy 2012