

Key features

- Based on LED-technology
- 2 000 cd steady burning red light
- 2 000 cd flashing red with CSW flash controller unit or power supply PS-48-1A8-PCFL
- Extremely reliable - long lifetime
- Very low power consumption
- 230 Vac nominal operating voltage
- Stabilised light output
- Lightweight and small – low wind load factor
- Easy to install
- No RF-radiations
- Patented

Benefits

- Long maintenance intervals
- Low energy cost
- Supply power voltage variations do not affect to light output
- Very low total lifetime costs
- Low wind load
- Comes with five (5) years warranty

Specifications met

- ICAO International Standards and Recommended Practices: Aerodromes - Annex 14 Volume 1, 5th Edition, July 2009, Chapter 6: Medium-intensity, Type C Fixed Obstacle Light
- FAA Advisory Circular 150/5345-43F 09/12/06: L-864 and L-885 light unit

Optical characteristics

- Intensity better than 2 000 cd
- Colour aviation red
- Horizontal radiation pattern 360°
- Vertical radiation pattern 3°
- LED supply current stabilised by constant current generator
- More than 10 year continuous maintenance free operating time

Lamp electrical characteristics

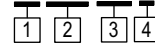
- Nominal operating voltage 48 Vdc
- Power consumption 28 W @ steady burning
- Power consumption 2.3 W @ 20 fpm, flash duration 250 ms
- Constant current 0.6 A
- Operating voltage range 47...58 Vdc
- Three-stage overvoltage protection

Mechanical characteristics

- Anodised aluminium body
- Glass cover
- Terminal box for 1.5...6 mm² wires
- Ingress protection IP65
- Operating temperature range -55...+55°C
- Height 284 mm, diameter 154 mm,
- Mounting set -V or -H and terminal box include
- Light unit weight 3 kg without mounting set
- Wind load 400 N with mounting set @ 200 km/h


Obelux MI-2KR-x without mounting set
Options

- CSW-48-x-F: Flash controller
- CSW-48-x-F-GPS: Flash controller with global flash sequency synchronisation by GPS-UTC time
- CSW-48-x-F-GSM controller GSM, SMS message
- Power supply PS-48-1A8, 230 VAC / 48 VDC 1.8 A
- Power supply PS-48-1A8-PCFL with flash controller and photocell
- Battery back-up system
- Solar operated power supply system (SPOL)
- Mounting kits

Order code:
Obelux MI-2KR-230-x


- | | |
|----------|---|
| 1 | Serie
MI: Medium Intensity |
| 2 | Luminous intensity and light colour
2KR: 2 000 cd, Red |
| 3 | Operating Voltage
012: 12 Vdc
024: 24 Vdc
048: 48 Vdc
115: 115 VAC
230: 230 VAC |
| 4 | Mounting set
V: Mounting to vertical pipe
H: Mounting to horizontal plate |

Order code MI-2KR-230-x-PCFL including

- Lamp 48Vdc, MI-2KR-048-x
- Power supply, PS-48-1A8-PCFL
(with steady burning, flashing unit and photocell)

Order code MI-2KR-230-x including

- Lamp 48Vdc, MI-2KR-048-x
- Power supply, PS-48-1A8 (steady burning)

Made in Finland

Technical information in this document is subject to change without notice. Copyright © Obelux Oy 2011

**ICAO Medium Intensity Type B and C, FAA L-864 and L-885,
2 000 cd flashing red obstacle light, 230 Vac operating voltage**

Obelux MI-2KR-048-x is an obstacle light utilizing LED technology. The cabling and installation principles are similar to those of conventional obstacle lights, the only exception being the correct polarity required by DC feed.

Terminal box include screw terminals and overvoltage protectors.

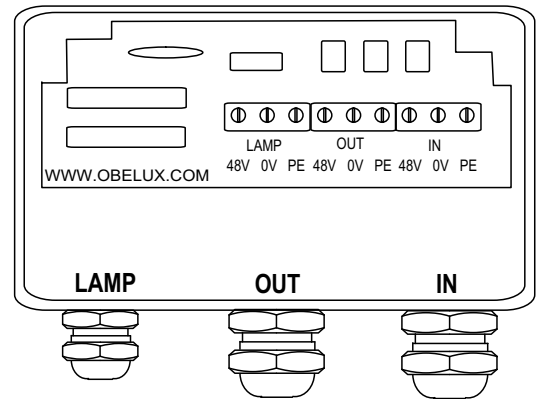
The polarity is:

- Blue -
- Black +
- Yellow-Green PE

All connection alternatives can be protected with a 6 A or 10 A fuse or with a circuit breaker (C curve).

Installation specifications

- Cable gland: M25
- Cable diameter: 11...17 mm
- Wire diameter: max. 6 mm²
- Recommended cable: 2x1.5+1.5 or 2x2.5+2.5 mm²

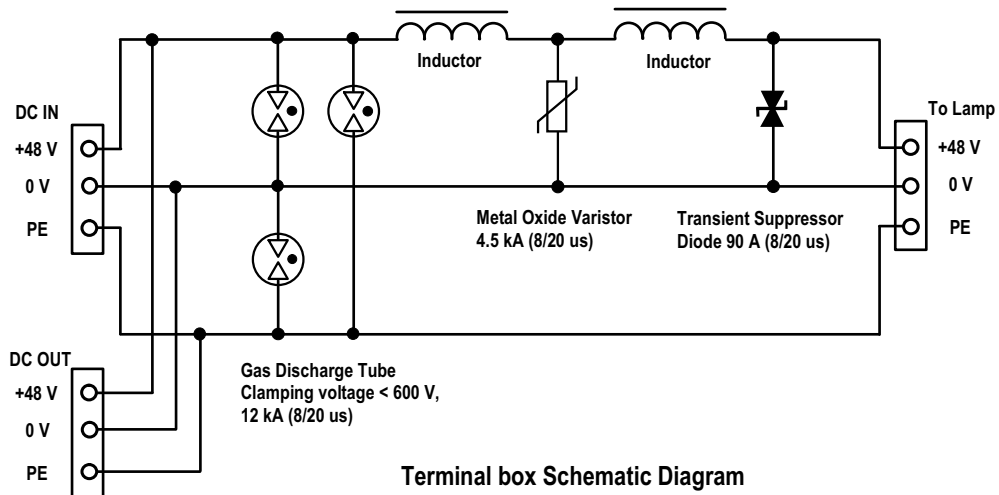


Cable Gland
M20 for 8-13 mm
cable

Cable Gland
M25 for 11-17 mm
cable

Cable Gland
M25 for 11-17 mm
cable

Terminal box



Terminal box Schematic Diagram

OPERATING VOLTAGE

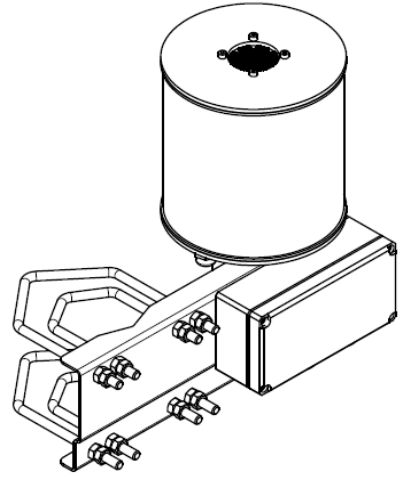
48 V DC

CAUTION ! LED RADIATION

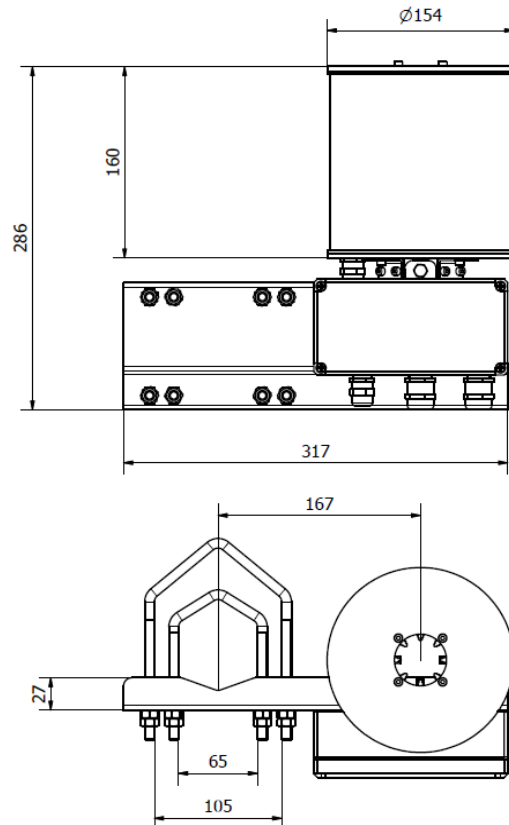
DO NOT STARE INTO LED BEAM OR VIEW DIRECTLY WITH OPTICAL INSTRUMENTS.
CLASS 2A LED PRODUCT

ICAO Medium Intensity Type B and C, FAA L-864 and L-885,
2 000 cd flashing red obstacle light, 230 Vac operating voltage

Obelux MI-2KR-xxx-V
Light unit with -V mounting set. Mounting to Vertical pipe



Mounting plate, U-bolts, hex nuts: Acid Proof steel
Terminal box: Polycarbonate
Mounting set weight: 0.7 kg



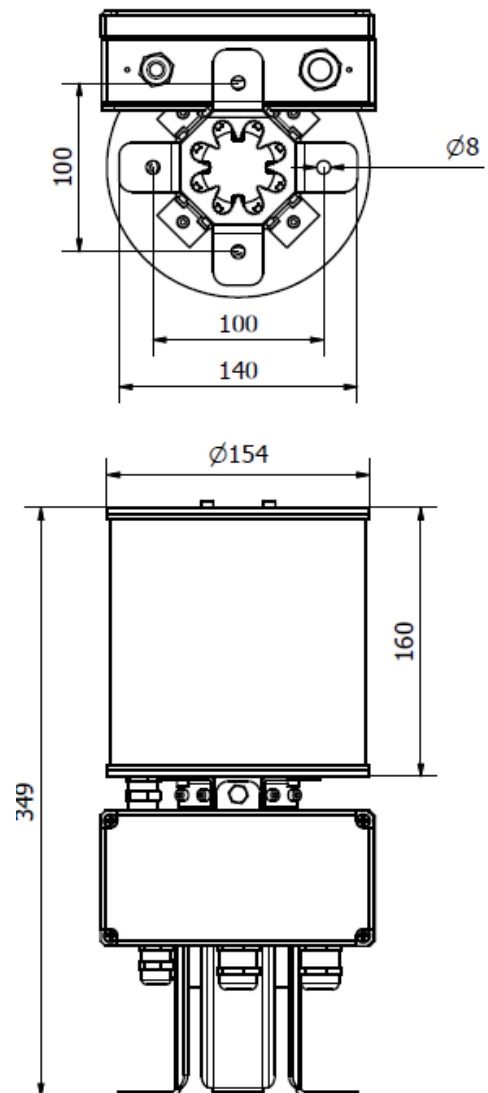
Technical information in this document is subject to change without notice. Copyright © Obelux Oy 2011

ICAO Medium Intensity Type B and C, FAA L-864 and L-885,
2 000 cd flashing red obstacle light, 230 Vac operating voltage

Obelux MI-2KR-xxx-H

Light unit with -H mounting set. Mounting to Horizontal plate by L-shape brackets

Mounting plate: Aluminium
U-bolts, hex nuts: Acid Proof steel
Terminal box: Polycarbonate
Mounting set weight: 0.3 kg



Technical information in this document is subject to change without notice. Copyright © Obelux Oy 2011